



4A01T322PCFQ

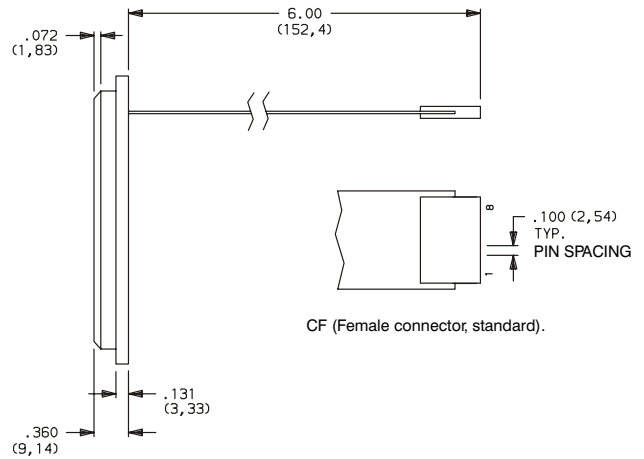
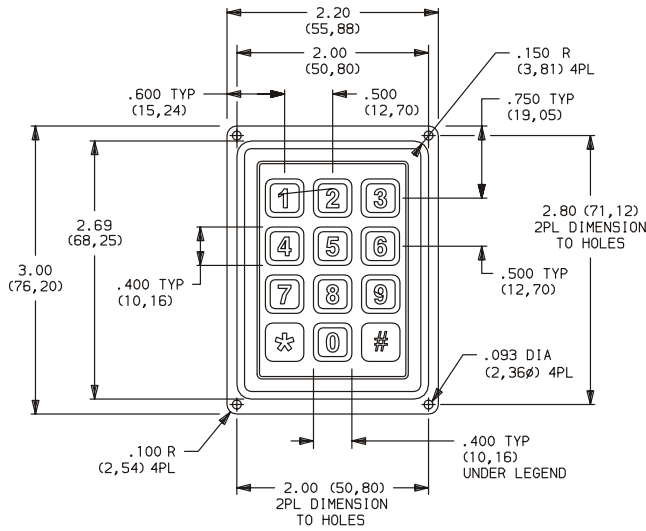


4B01H322PCFQ

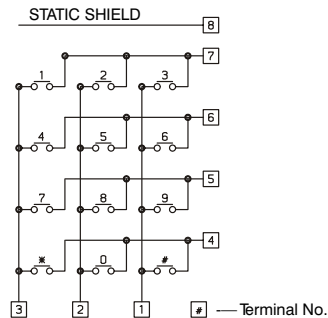
- Long life, up to five million cycles
- Sealed switches, splashproof
- Graphic overlay resists chemicals

- Built-in static shield, standard
- 6 inch flex tail with female connector
- Detent available for tactile feedback

**4A Model (3 x 4 Array, 12 Keys)**



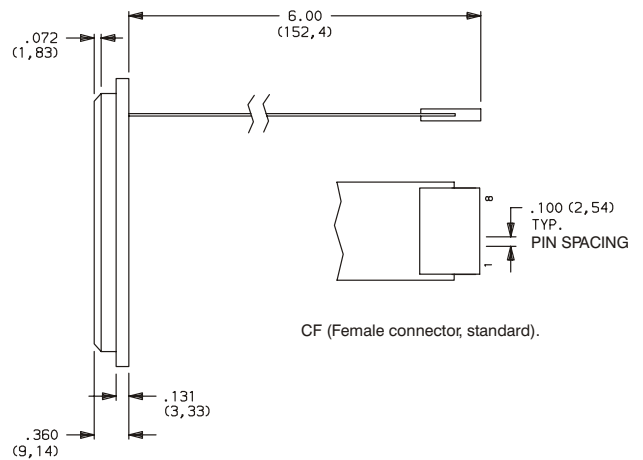
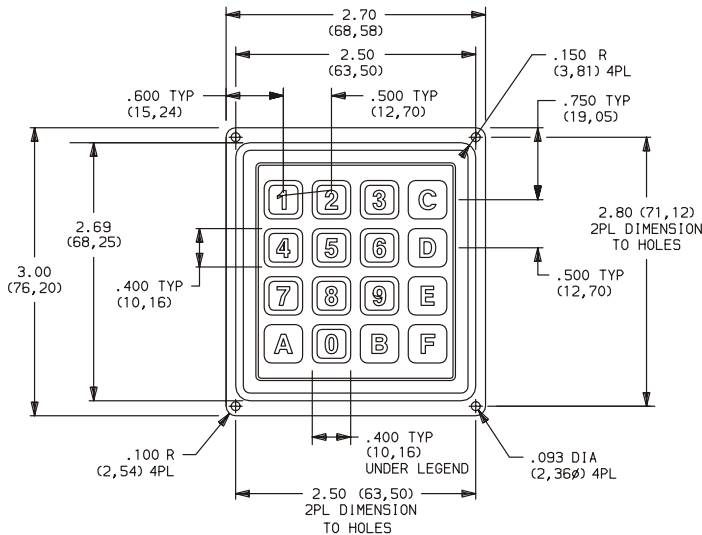
**Schematic**



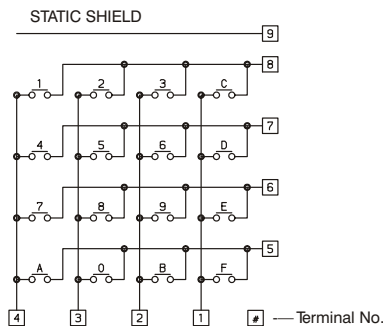
X-Y Matrix output circuit configuration with static shield.  
Switch function - SPST N.O. Momentary.

PART NO.	DETENT	CONNECTOR
4A01T322NCFQ	NO	FEMALE
4A01T322PCFQ	YES	FEMALE

**4B Model (4 x 4 Array, 16 Keys)**



**Schematic**



X-Y Matrix output circuit configuration with static shield.  
Switch function - SPST N.O. Momentary.

PART NO.	DETENT	CONNECTOR
<b>4B01H322NCFQ</b>	NO	FEMALE
<b>4B01H322PCFQ</b>	YES	FEMALE

**HOW TO ORDER**

In2tec Ltd. Cunliffe Drive, Kettering, Northamptonshire NN16 8NT Tel: +44 (0) 1536 419250 Fax: +44 (0) 1536 419222  
 In2tec Inc. 18 Christina Marie Drive, Pembroke, MA. 02359 USA Tel: 781-293-9689 (Direct Line) Fax : 413-451-5053

**SPECIFICATIONS**

- CONTACT RATING: 100 mA max. @ 30 V DC max., 0.5 W max.
- ELECTRICAL LIFE: 2,000,000 cycles (with detent); 5,000,000 cycles (without detent).
- CONTACT RESISTANCE: 50 ohms typ.
- INSULATION RESISTANCE:  $5 \times 10^6$  ohms min.
- DIELECTRIC STRENGTH: 250 V RMS min.
- CIRCUIT CAPACITANCE: 10 pf typ.
- CONTACT BOUNCE: Below 10 msec. typ.
- ACTUATION FORCE: 7-11 oz. typ. (with detent); 3-5 oz. typ. (without detent).
- TRAVEL: .025-.030 typ. (with detent); .008-.010 typ. (without detent).
- STORAGE TEMPERATURE: -40 C to 80 C. (60 C max. with detent).
- OPERATING TEMPERATURE: -30 C to 70 C. (60 C max. with detent).

**MATERIALS**

- OVERLAY WITH GRAPHICS: Polycarbonate/polyester, matte finish (embossed keys on model with detent). White characters on red keys with a black background. Numeric keys have a white border. Custom graphics available, consult factory.
- BASE: Rigid polyester (UL 94V-0), black, standard.
- CONTACTS & CIRCUITS: Silver conductive PTF traces on heat stabilized polyester membrane.
- CONNECTOR: Female connector with tin/lead plating.

**NOTE:** Specifications and materials listed above are general specifications. Specifications available for specific and custom switches, consult factory.

**IN2TEC Document 3004-0304**



4214A1



4234A1



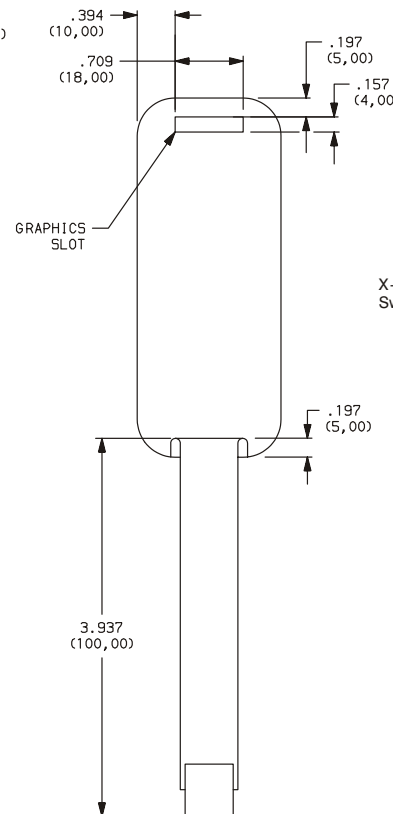
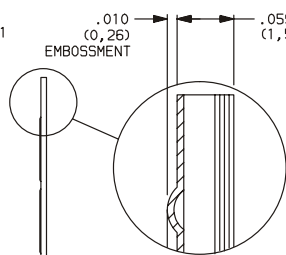
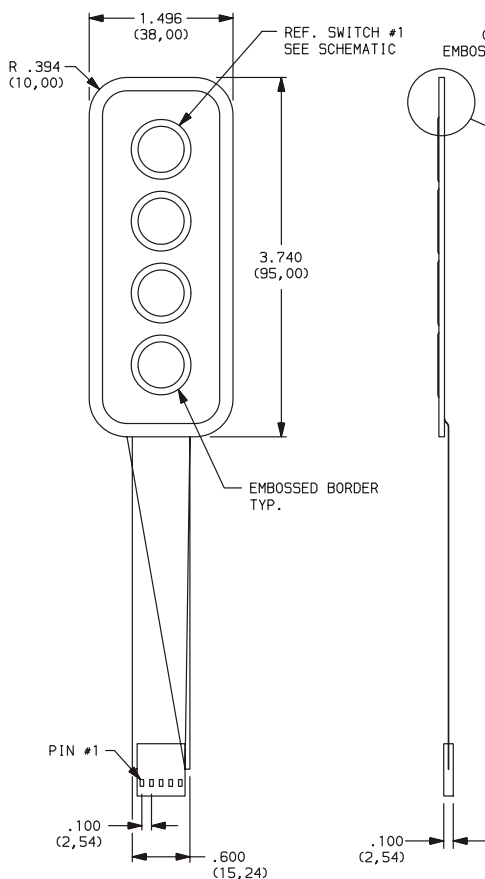
4244A1

Adhesive backed for easy mounting  
 Allows for custom legends  
 Legends easily swapped

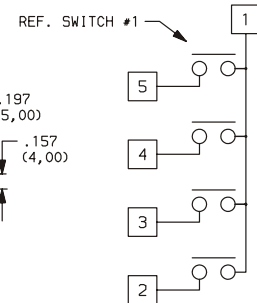
Tactile feedback on all keys  
 Rim embossed keys for finger placement  
 Splashproof, sealed switches

**1 x 4 Array, 4 Keys**

PART NO.	DETENT	CONNECTOR
<b>4214A1</b>	YES	FEMALE

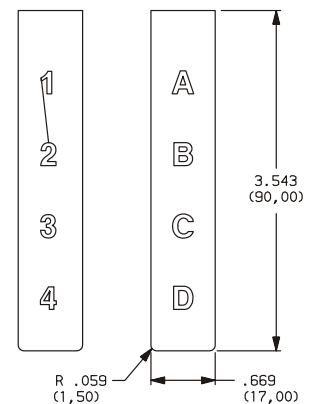


**Schematic**



X-Y Matrix output circuit configuration  
 Switch function - SPST N.O. Momentary.

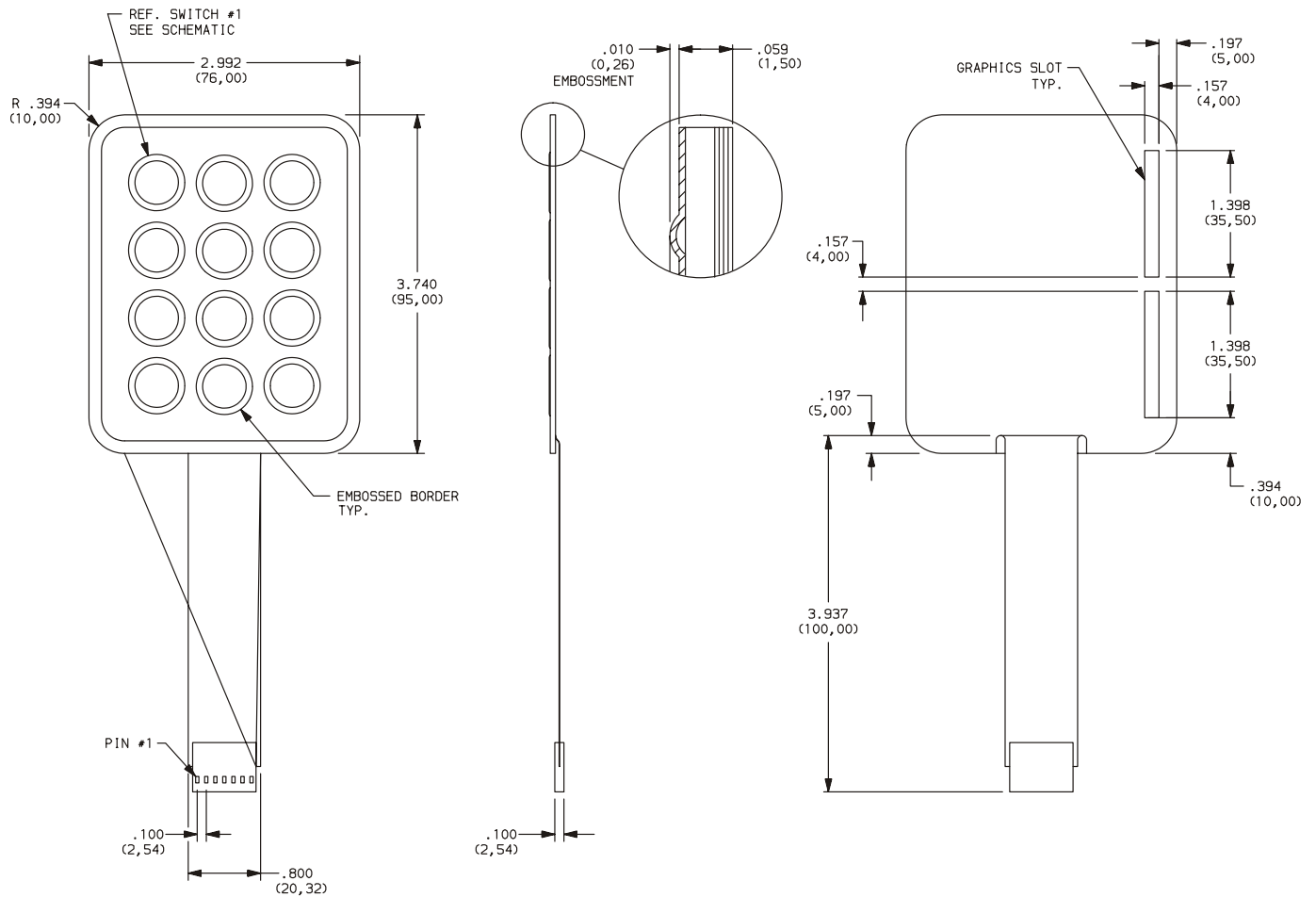
**Graphics**



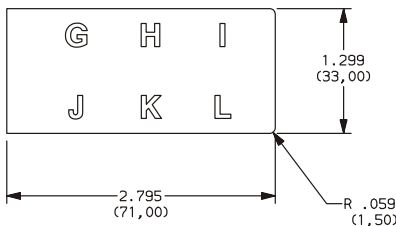
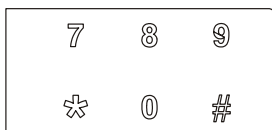
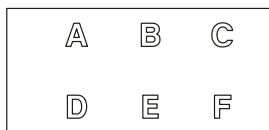
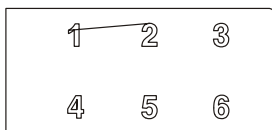
BOTH INSERTS SUPPLIED  
 WITH EACH KEYPAD

## 3 x 4 Array, 12 Keys

PART NO.	DETENT	CONNECTOR
<b>4234A1</b>	YES	FEMALE

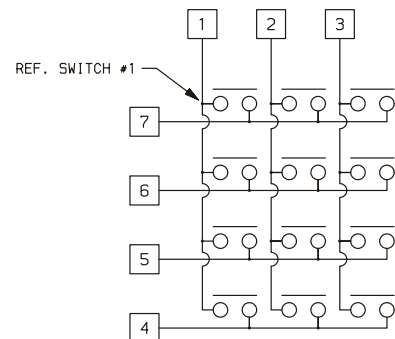


### Graphics



ALL (4) INSERTS SUPPLIED WITH EACH KEYPAD

### Schematic



X-Y Matrix output circuit configuration  
Switch function - SPST N.O. Momentary.





## HOW TO ORDER

In2tec Ltd. Cunliffe Drive, Kettering, Northamptonshire NN16 8NT Tel: +44 (0) 1536 419250 Fax: +44 (0) 1536 419222

In2tec Inc. 18 Christina Marie Drive, Pembroke, MA. 02359 USA Tel: 781-293-9689 (Direct Line) Fax : 413-451-5053

---

## SPECIFICATIONS

SWITCH FUNCTION: SPST, momentary, normally open.

CONTACT RATING: 0.5 VA, 100 mA, 30 V DC max.

ACTUATION FORCE: 300 – 50 grams.

INSULATION RESISTANCE: 5 megohms min.

DIELECTRIC STRENGTH: 250 V RMS min.

CAPACITANCE: 10 pF typ.

CONTACT BOUNCE: Below 10 msec. typ.

TRAVEL: 0.63 – 0.76mm (0,025 – 0,030) typ.

STORAGE TEMPERATURE: –40 °C to 60 °C.

OPERATING TEMPERATURE: –30 °C to 60 °C.

## MATERIALS

OVERLAY: Polyester/polycarbonate blend with uniform low gloss fine texture.

CONTACTS AND CIRCUITS: Silver conductive PTF traces on heat stabilized polyester film.

CONNECTOR: Single row female connector, tin lead plating.

**NOTE:** Specifications and materials listed above are general specifications. Specifications available for specific and custom switches, consult factory.

**IN2TEC Document 3005-0304**



4814S1



4834S1

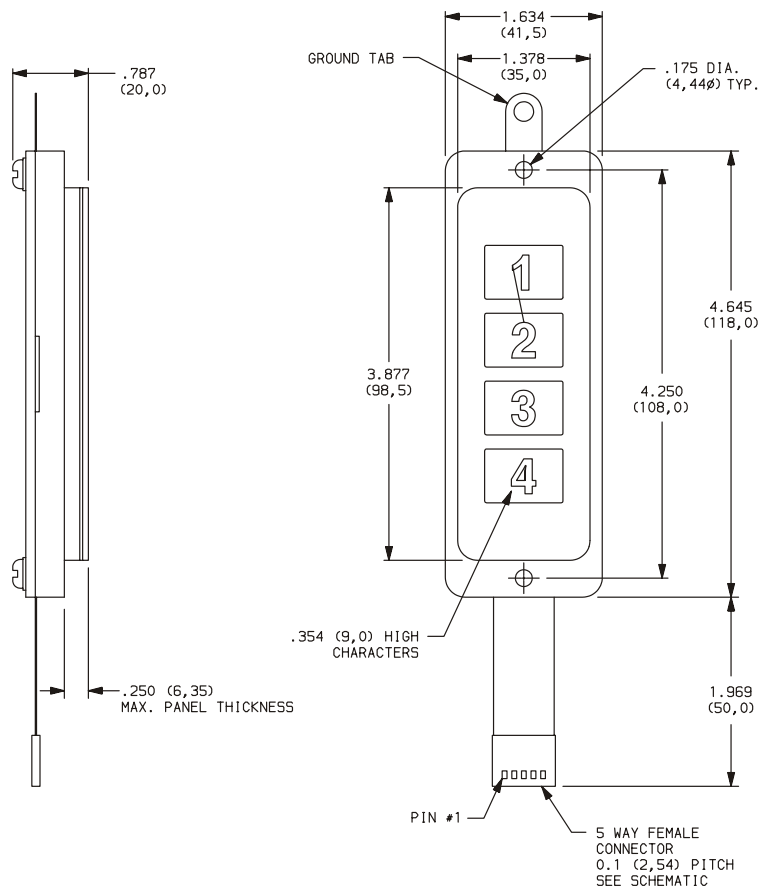


4844S1

- Stainless steel vandal resistant construction
- Attractive brushed stainless finish
- Used in ATM and other outdoor applications
- Positive tactile feedback

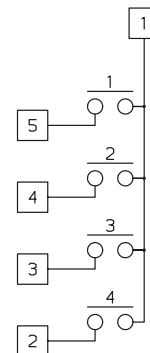
- Keys and faceplate sealed to IP66
- Durable, recessed legends
- Ground tab provided
- Low profile

**1 x 4 Array, 4 Keys**



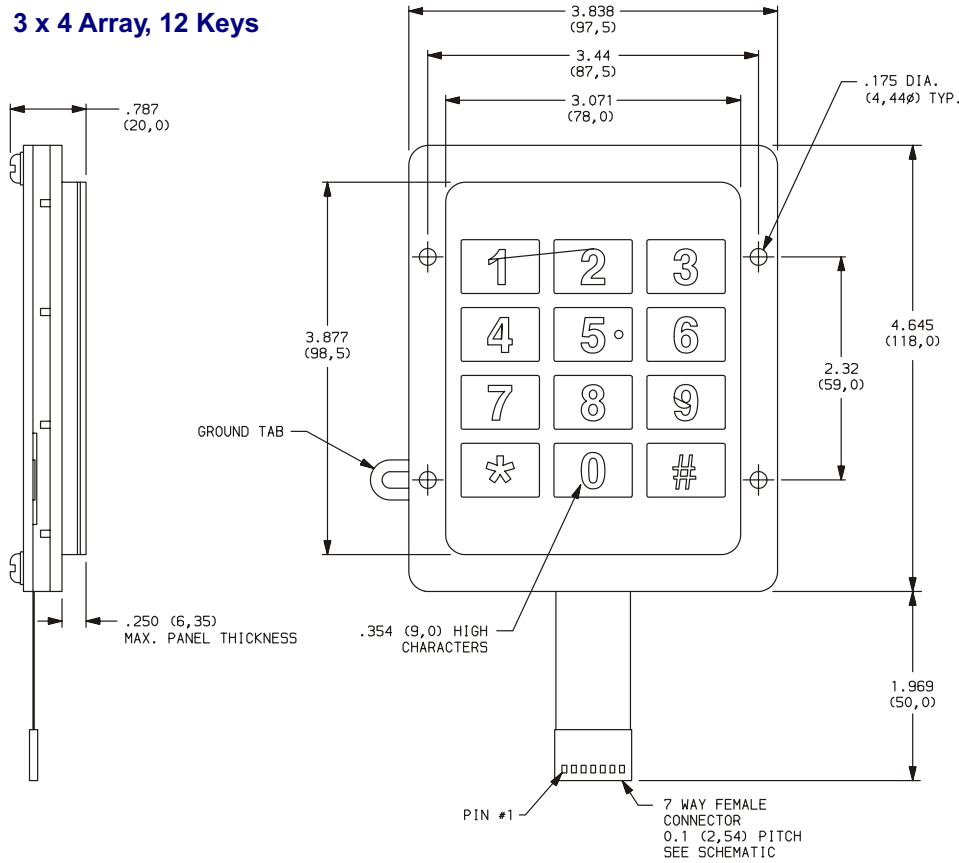
PART NO.	DETENT	CONNECTOR
4814S1	YES	FEMALE

**Schematic**



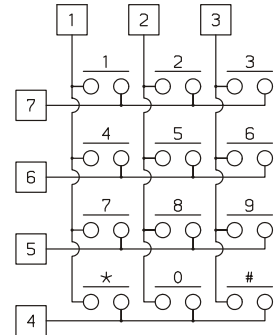
X-Y Matrix output circuit configuration with static shield. Switch function - SPST N.O. Momentary.

### 3 x 4 Array, 12 Keys



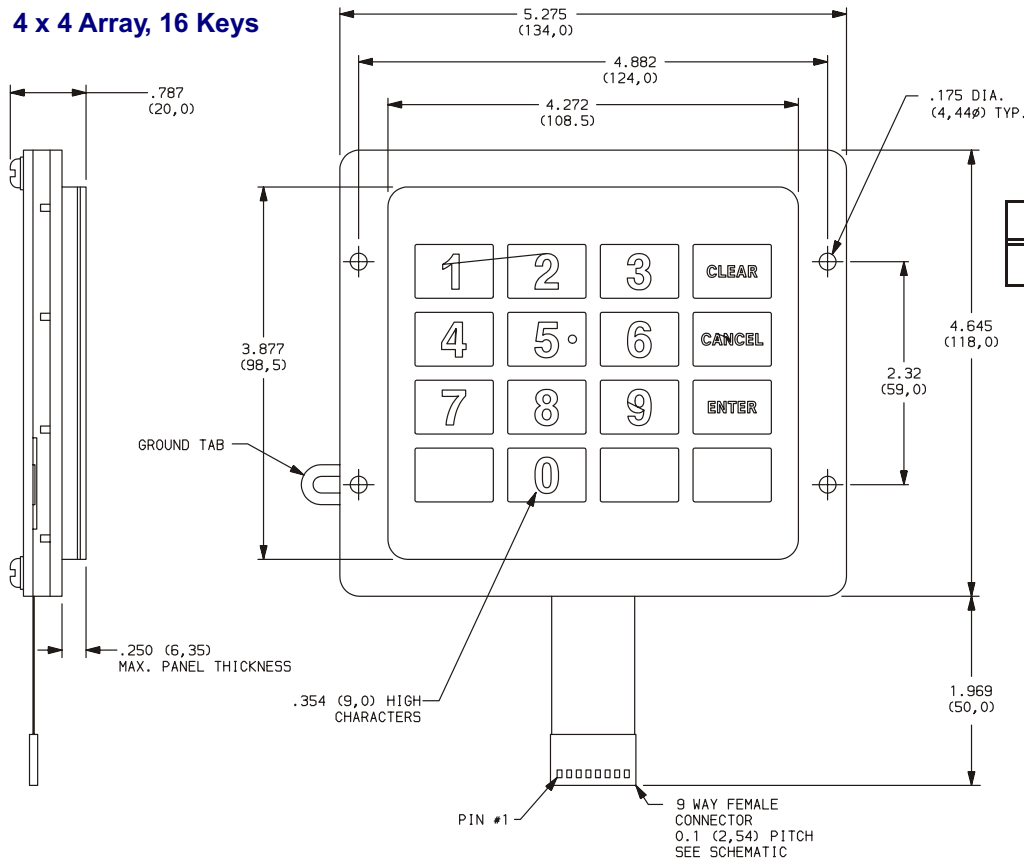
PART NO.	DETENT	CONNECTOR
<b>4834S1</b>	YES	FEMALE

### Schematic



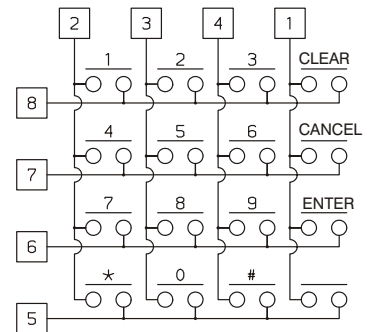
X-Y Matrix output circuit configuration with static shield. Switch function - SPST N.O. Momentary.

### 4 x 4 Array, 16 Keys



PART NO.	DETENT	CONNECTOR
<b>4844S1</b>	YES	FEMALE

### Schematic



X-Y Matrix output circuit configuration with static shield. Switch function - SPST N.O. Momentary.



**HOW TO ORDER**

In2tec Ltd. Cunliffe Drive, Kettering, Northamptonshire NN16 8NT Tel: +44 (0) 1536 419250 Fax: +44 (0) 1536 419222

In2tec Inc. 18 Christina Marie Drive, Pembroke, MA. 02359 USA Tel: 781-293-9689 (Direct Line) Fax : 413-451-5053

---

**SPECIFICATIONS**

CONTACT RATING: 0.1 mA – 50 mA.

VOLTAGE: 1.5 V DC min. to 30 V DC max. (resistive, smooth supply).

CONTACT RESISTANCE: Less than 45 ohms.

SWITCH POWER: 1.5 watt max.

CONTACT BOUNCE: 20 msec. max.

DIELECTRIC STRENGTH: 100 V RMS for 1 minute.

INSULATION RESISTANCE: 10 megohms at 40 °C, 93% r.h.

**MATERIALS**

FACEPLATE: Stainless steel.

HOUSING: Polycarbonate.

CONTACTS: Solid silver conductive ink.

CONNECTOR: Female connector with tin/lead plating.

**NOTE:** Specifications and materials listed above are general specifications. Specifications available for specific and custom switches, consult factory.

**IN2TEC Document 3006-0304**